

CLUTCH

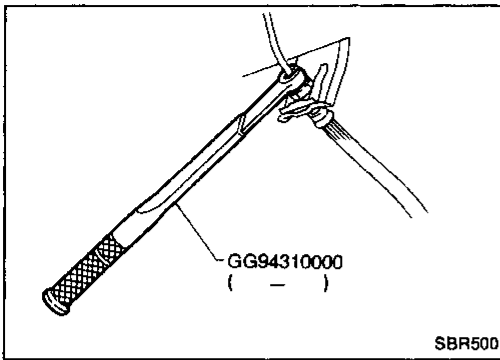
SECTION **CL**

GI
MA
EM
LC
EC
FE
CL
MT
AT
FA
RA
BR
ST
BF
HA
EL
IDX

CONTENTS

PRECAUTIONS AND PREPARATION	2	Operating Cylinder.....	7
Precautions.....	2	CLUTCH RELEASE MECHANISM	8
Special Service Tools.....	2	CLUTCH DISC AND CLUTCH COVER	9
CLUTCH SYSTEM — Hydraulic Type	3	Clutch Disc.....	9
INSPECTION AND ADJUSTMENT	4	Clutch Cover and Flywheel.....	10
Adjusting Clutch Pedal.....	4	SERVICE DATA AND SPECIFICATIONS (SDS)	11
Bleeding Procedure.....	4	General Specifications.....	11
HYDRAULIC CLUTCH CONTROL	6	Inspection and Adjustment.....	11
Clutch Master Cylinder.....	6		

PRECAUTIONS AND PREPARATION



Precautions

- Recommended fluid is brake fluid "DOT 3".
- Never reuse drained brake fluid.
- Be careful not to splash brake fluid on painted areas.
- When removing and installing clutch piping, use Tool.
- Use new brake fluid to clean or wash all parts of master cylinder, operating cylinder and clutch damper.
- Never use mineral oils such as gasoline or kerosene. It will ruin the rubber parts of the hydraulic system.

WARNING:

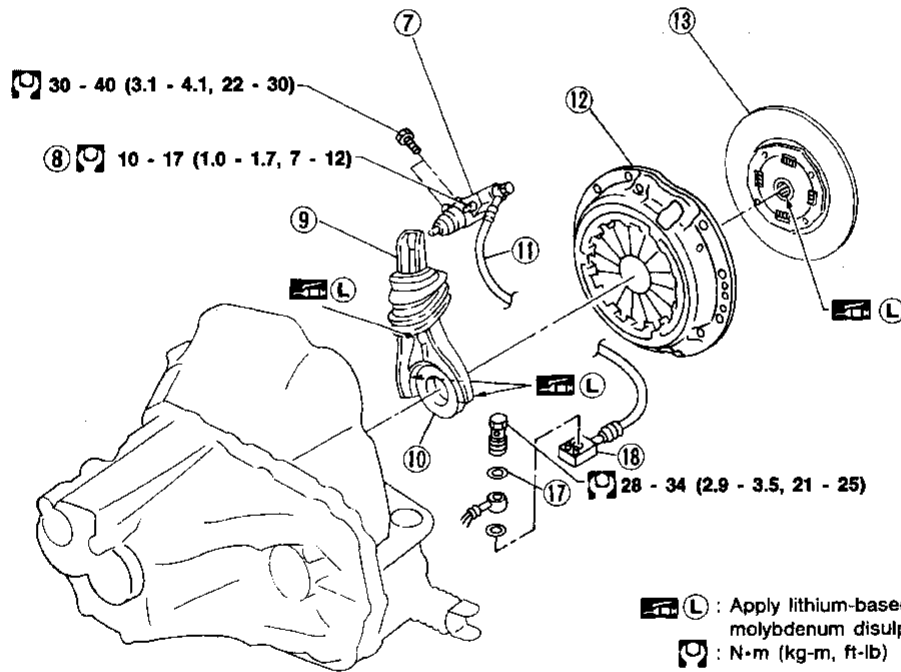
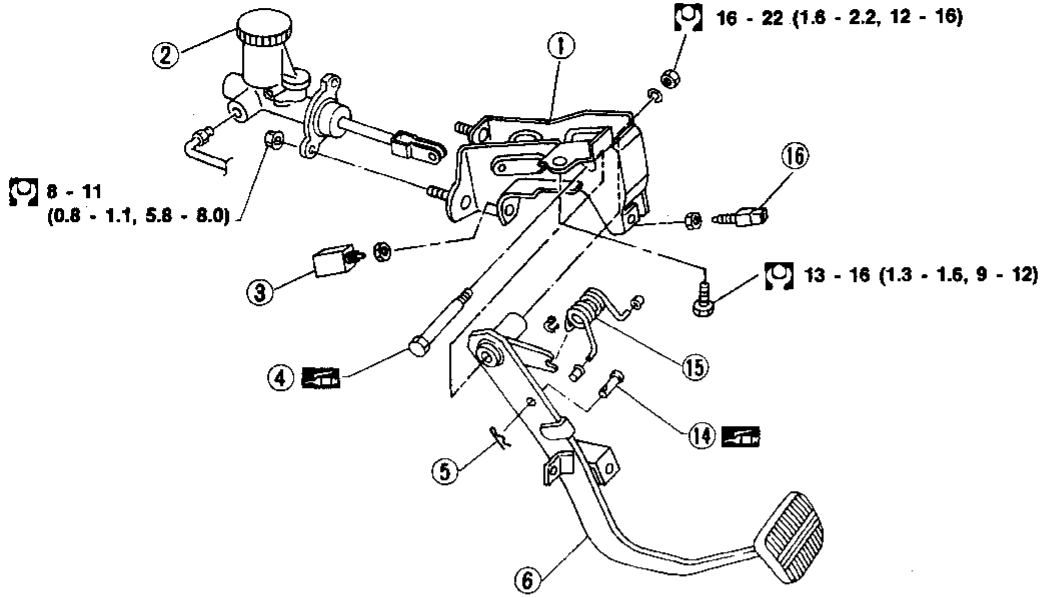
After cleaning clutch disc, wipe it with a dust collector. Do not use compressed air.

Special Service Tools

Tool number (Kent-Moore No.) Tool name	Description
GG94310000 (—) Flare nut torque wrench	<p style="text-align: center;">NT406</p> <p style="text-align: right;">a: 10 mm (0.39 in)</p>
KV30101000 (J33213) Clutch aligning bar	<p style="text-align: center;">NT440</p> <p style="text-align: right;"> a: 12 mm (0.47 in) dia. b: 15.7 mm (0.618 in) dia. c: 22.8 mm (0.898 in) dia. d: 21 mm (0.83 in) e: 22 mm (0.87 in) </p>
ST20050240 (—) Diaphragm spring adjusting wrench	<p style="text-align: center;">NT404</p> <p style="text-align: right;"> a: 150 mm (5.91 in) b: 25 mm (0.98 in) </p>

CLUTCH SYSTEM — Hydraulic Type

SEC. 300-305-306-465



L : Apply lithium-based grease including molybdenum disulphide.
 : N·m (kg-m, ft-lb)

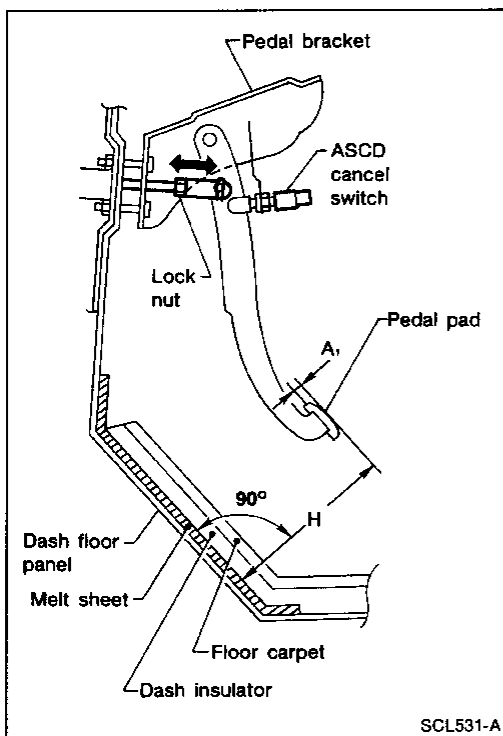
- ① Pedal bracket
- ② Clutch master cylinder
- ③ Clutch interlock switch
- ④ Fulcrum pin
- ⑤ Pin
- ⑥ Clutch pedal

- ⑦ Operating cylinder
- ⑧ Air bleeder screw
- ⑨ Withdrawal lever
- ⑩ Release bearing
- ⑪ Clutch hose
- ⑫ Clutch cover

- ⑬ Clutch disc
- ⑭ Clevis pin
- ⑮ Assist spring
- ⑯ ASCD cancel switch
- ⑰ Washer
- ⑱ Clutch hose connector

SCL596

GI
 MA
 EM
 LC
 EC
 FE
CL
 MT
 AT
 FA
 RA
 BR
 ST
 BF
 HA
 EL
 IDX



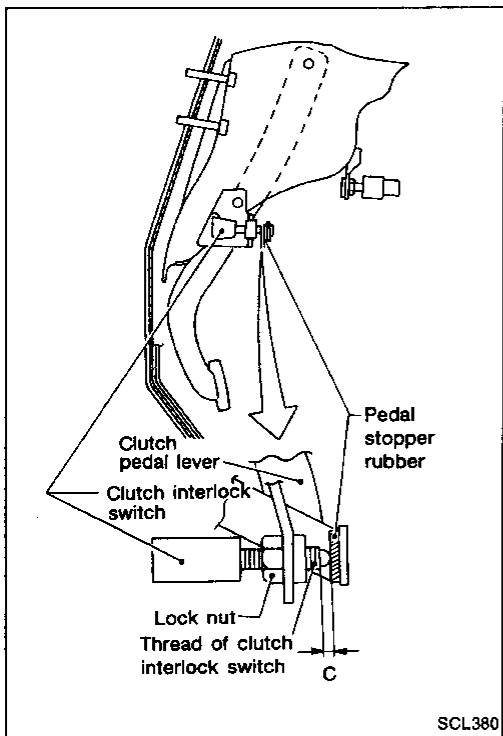
Adjusting Clutch Pedal

1. Adjust pedal height with ASCD cancel switch.
Pedal height "H":
 168 - 175 mm (6.61 - 6.89 in)
2. Adjust pedal free play with master cylinder push rod. Then tighten lock nut.

Pedal free play "A₁":
 1.0 - 3.0 mm (0.039 - 0.118 in)

Pedal free play means the following total, measured at position of pedal pad:

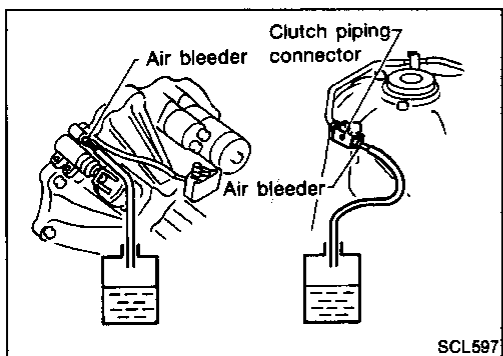
- Play due to clevis pin and clevis pin hole in clutch pedal.



For U.S.A. model only

3. Adjust clearance "C" shown in the figure while fully depressing clutch pedal.

Clearance C:
 0.3 - 1.0 mm (0.012 - 0.039 in)



Bleeding Procedure

1. Bleed air from clutch operating cylinder according to the following procedure.

Carefully monitor fluid level at master cylinder during bleeding operation.

- a. Top up reservoir with recommended brake fluid.
- b. Connect a transparent vinyl tube to air bleeder valve.
- c. Slowly depress clutch pedal all the way several times.
- d. With clutch pedal depressed, open bleeder valve to release air. Then close bleeder valve.

INSPECTION AND ADJUSTMENT

Bleeding Procedure (Cont'd)

- e. Release clutch pedal and wait for a few seconds.
- f. Repeat steps c through e above until brake fluid flows from air bleeder valve without air bubbles.
2. Bleed air from clutch piping connector according to the above same procedure.
3. Repeat the above bleeding procedures 1 and 2 several times.

GI

MA

EM

LC

EC

FE

CL

MT

AT

FA

RA

BR

ST

BF

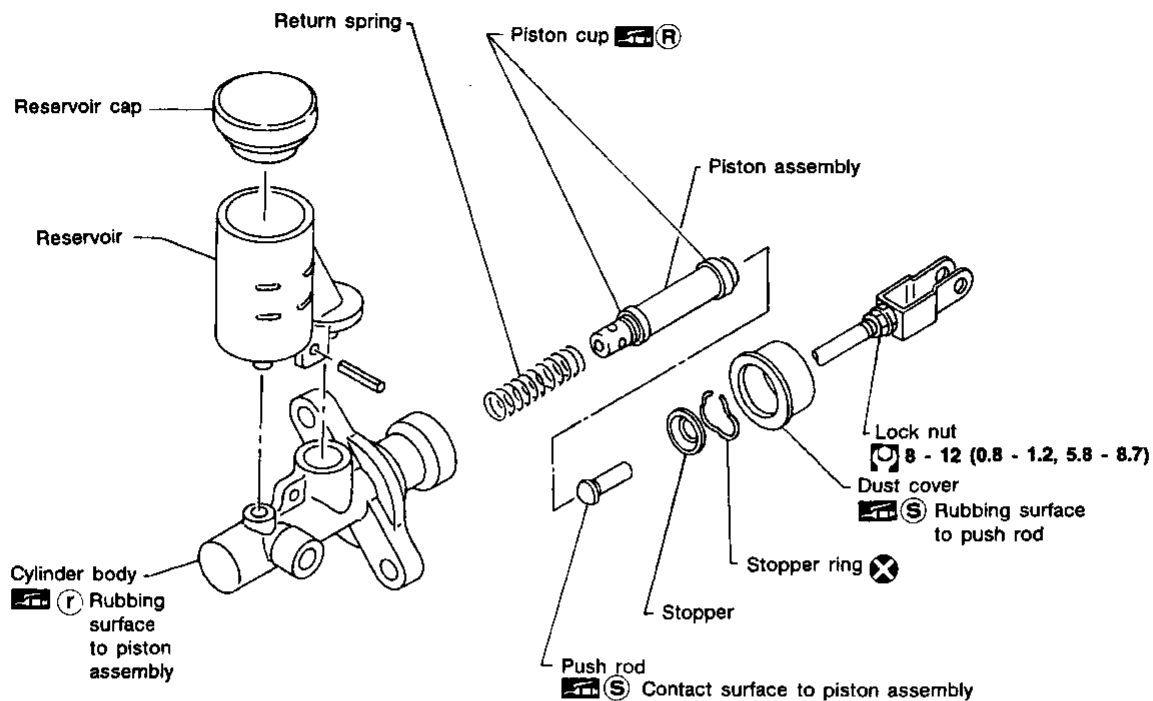
HA

EL

IDX

Clutch Master Cylinder

SEC. 305



- (R) : Apply rubber lubricant.
- (S) : Apply silicone grease.
- (R) : Apply rubber grease.
- : N·m (kg-m, ft-lb)

SCL584

DISASSEMBLY AND ASSEMBLY

- Push piston into cylinder body with screwdriver when removing and installing valve stopper.

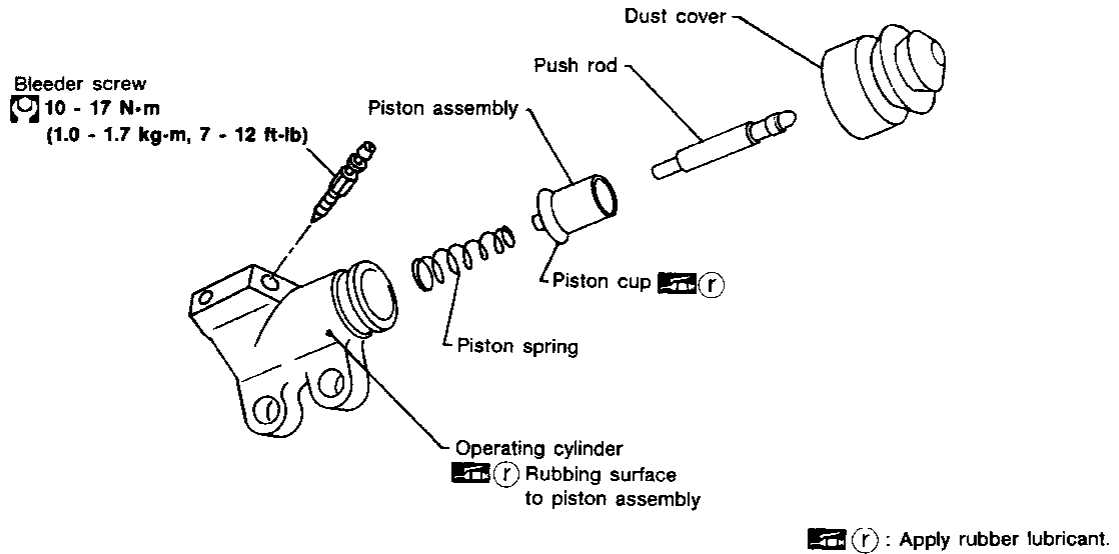
INSPECTION

Check the following items, and replace if necessary.

- Rubbing surface of cylinder and piston, for uneven wear, rust or damage
- Piston with piston cup, for wear or damage
- Return spring, for wear or damage
- Dust cover, for cracks, deformation or damage
- Reservoir, for deformation or damage

Operating Cylinder

SEC. 306



INSPECTION

Check the following items, and replace if necessary.

- Rubbing surface of cylinder and piston, for uneven wear, rust or damage
- Piston with piston cup, for wear or damage
- Piston spring, for wear or damage
- Dust cover, for cracks, deformation or damage

GI

MA

EM

LC

EC

FE

CL

MT

AT

FA

RA

BR

ST

BF

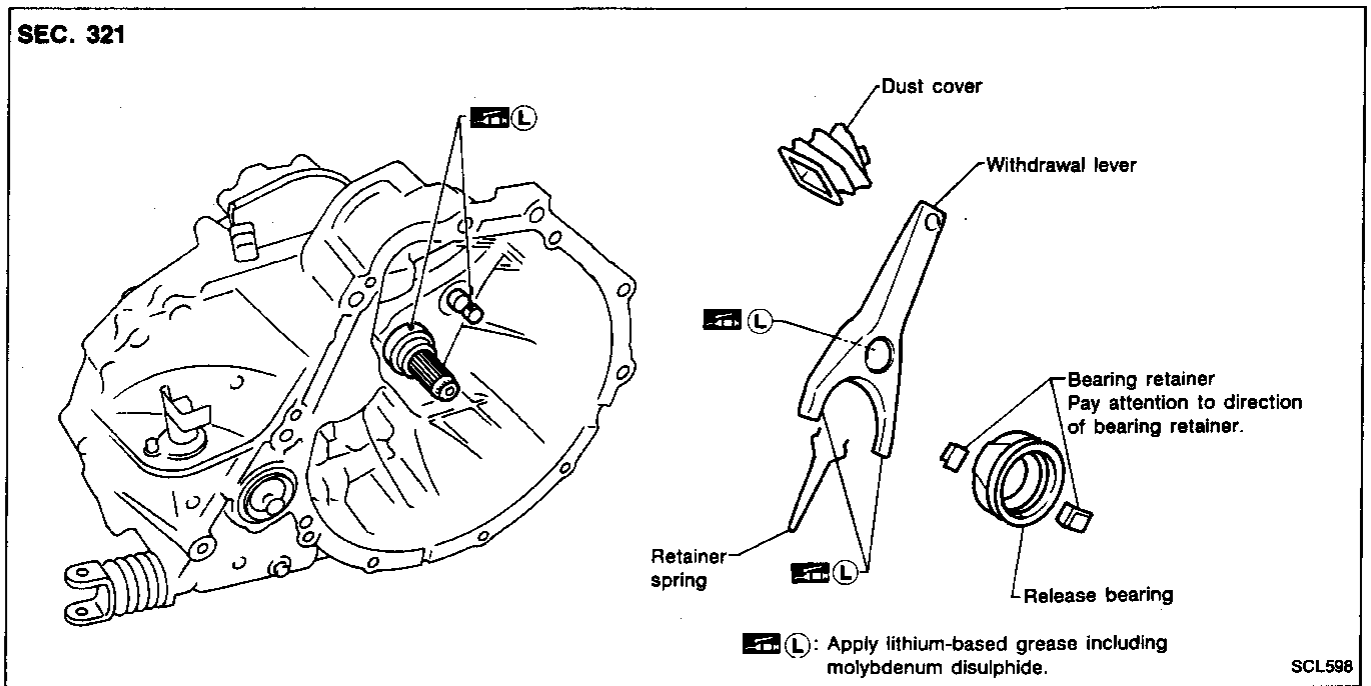
HA

EL

IDX

CLUTCH RELEASE MECHANISM

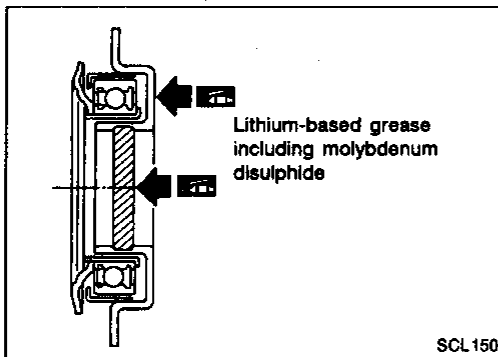
SEC. 321



INSPECTION

Check the following items, and replace if necessary.

- Release bearing, to see that it rolls freely and is free from noise, cracks, pitting or wear
- Release sleeve and withdrawal lever rubbing surface, for wear, rust or damage

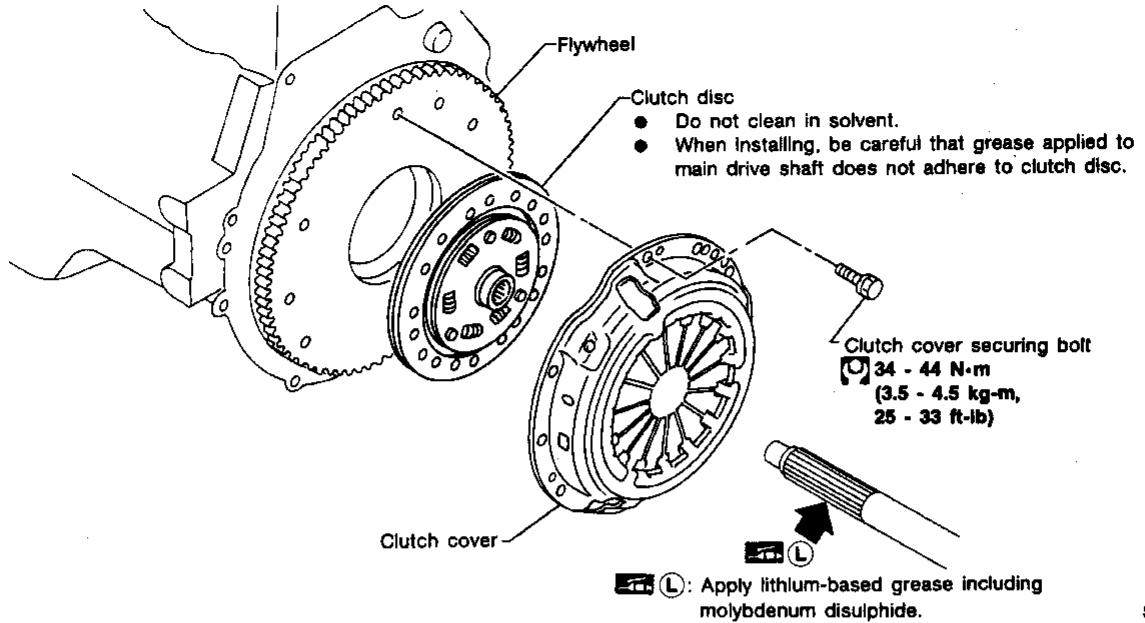


LUBRICATION

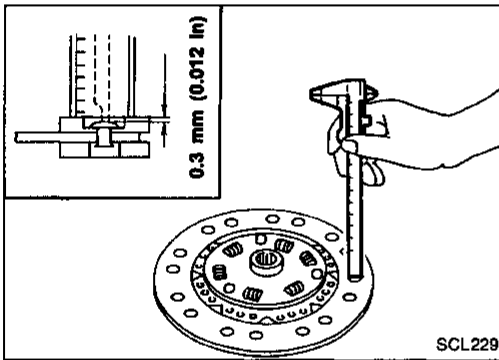
- Apply recommended grease to contact surface and rubbing surface.
- Too much lubricant might damage clutch disc facing.

CLUTCH DISC AND CLUTCH COVER

SEC. 300



GI
MA
EM
LC
EC
FE
CL



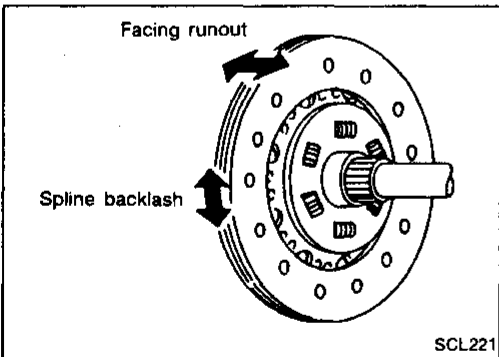
Clutch Disc

INSPECTION

Check the following items, and replace if necessary.

- Clutch disc, for burns, discoloration, oil or grease leakage
- Clutch disc, for wear of facing

Wear limit of facing surface to rivet head:
0.3 mm (0.012 in)



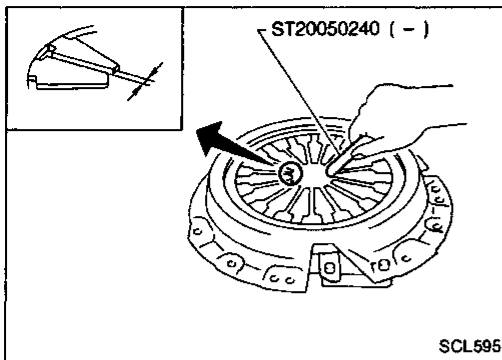
- Clutch disc, for spline backlash
Maximum spline backlash (at outer edge of disc):
1.0 mm (0.039 in)
- Clutch disc, for facing runout
Runout limit:
1.0 mm (0.039 in)
Distance of runout check point (from hub center)
115 mm (4.53 in)

MT
AT
FA
RA
BR
ST
BF
HA
EL
IDX

INSTALLATION

- Apply recommended grease to contact surface of spline portion.
- Too much lubricant might damage clutch facing.

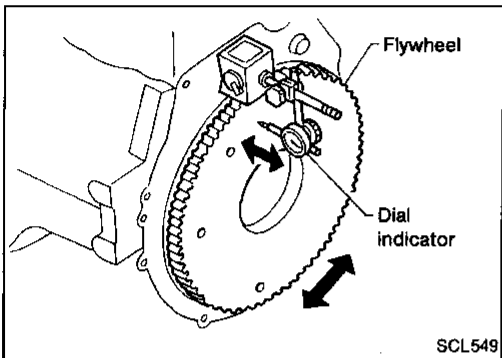
CLUTCH DISC AND CLUTCH COVER



Clutch Cover and Flywheel

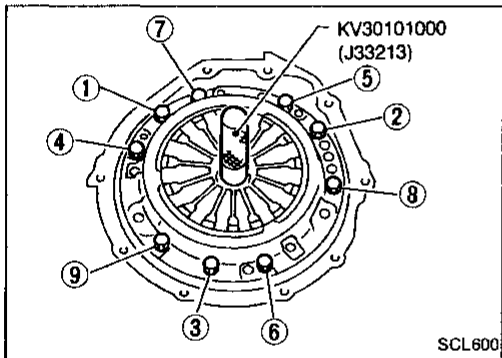
INSPECTION AND ADJUSTMENT

- Check clutch cover installed on vehicle for unevenness of diaphragm spring toe height.
Uneven limit:
0.5 mm (0.020 in)
- If out of limit, adjust the height with Tool.



FLYWHEEL INSPECTION

- Check contact surface of flywheel for slight burns or discoloration. Repair flywheel with emery paper.
- Check flywheel runout.
Runout (Total indicator reading):
Less than 0.15 mm (0.0059 in)



INSTALLATION

- Insert Tool into clutch disc hub when installing clutch cover and disc.
- Tighten bolts in numerical order.
- **Be careful not to allow grease to contaminate clutch facing.**

SERVICE DATA AND SPECIFICATIONS (SDS)

General Specifications

CLUTCH CONTROL SYSTEM

Type of clutch control	Hydraulic
------------------------	-----------

CLUTCH MASTER CYLINDER

Inner diameter	mm (in)	15.87 (5/8)
----------------	---------	-------------

CLUTCH OPERATING CYLINDER

Inner diameter	mm (in)	19.05 (3/4)
----------------	---------	-------------

CLUTCH PEDAL

Unit: mm (in)

Pedal height*	168 - 175 (6.61 - 6.89)
Pedal free play	1.0 - 3.0 (0.039 - 0.118)
Clearance between pedal stopper rubber and clutch interlock switch threaded end while clutch pedal is fully depressed.	0.3 - 1.0 (0.012 - 0.039)

*: Measured from surface of melt sheet to pedal pad

CLUTCH DISC

Unit: mm (in)

Model	240
Facing size (Outer dia. x inner dia. x thickness)	240 x 160 x 3.5 (9.45 x 6.30 x 0.138)
Thickness of disc assembly	7.6 - 8.0 (0.299 - 0.315) with 5,688 N (580 kg, 1,279 lb)

CLUTCH COVER

Model	240
Full-load	N (kg, lb) 5,688 (580, 1,279)

Inspection and Adjustment

CLUTCH DISC

Unit: mm (in)

Model	240
Wear limit of facing surface to rivet head	0.3 (0.012)
Facing runout limit	1.0 (0.039)
Distance of runout check point (from the hub center)	115 (4.53)
Maximum spline backlash (at outer edge of disc)	1.0 (0.039)

CLUTCH COVER

Unit: mm (in)

Model	240
Uneven limit of diaphragm spring toe height	0.5 (0.020)